



**Electrolux**  
PROFESSIONAL

**Modular Cooking Range Line  
700XP 6-Hot Plates Electric Boiling  
Top Range**

ITEM # \_\_\_\_\_

MODEL # \_\_\_\_\_

NAME # \_\_\_\_\_

SIS # \_\_\_\_\_

AIA # \_\_\_\_\_



371019 (E7ECELR00)

700XP 6 HOT PLATE  
ELECTRIC BOILING TOP  
2.6kW - 400V

**Short Form Specification**

**Item No.** \_\_\_\_\_

To be installed on open base installations, bridging supports or cantilever systems. Six 2.6 kW cast-iron hot plates hermetically sealed to the one-piece top. Exterior panels in stainless steel with Scotch Brite finish. One piece pressed work top in 1.5 mm thick stainless steel. Right-angled side edges to allow flush-fitting junction between units.

**Main Features**

- Unit to be mounted on open base cupboards, bridging supports or cantilever systems.
- The six 2.6kW cast-iron plates are hermetically sealed to the one-piece top.
- The special design of the control knob system guarantees against water infiltration.
- IPx4 water protection.
- Suitable for countertop installation.

**Construction**

- All exterior panels in Stainless Steel with Scotch Brite finishing.
- One piece pressed 1.5 mm work top in Stainless steel.
- Model has right-angled side edges to allow flush fitting joints between units, eliminating gaps and possible dirt traps.

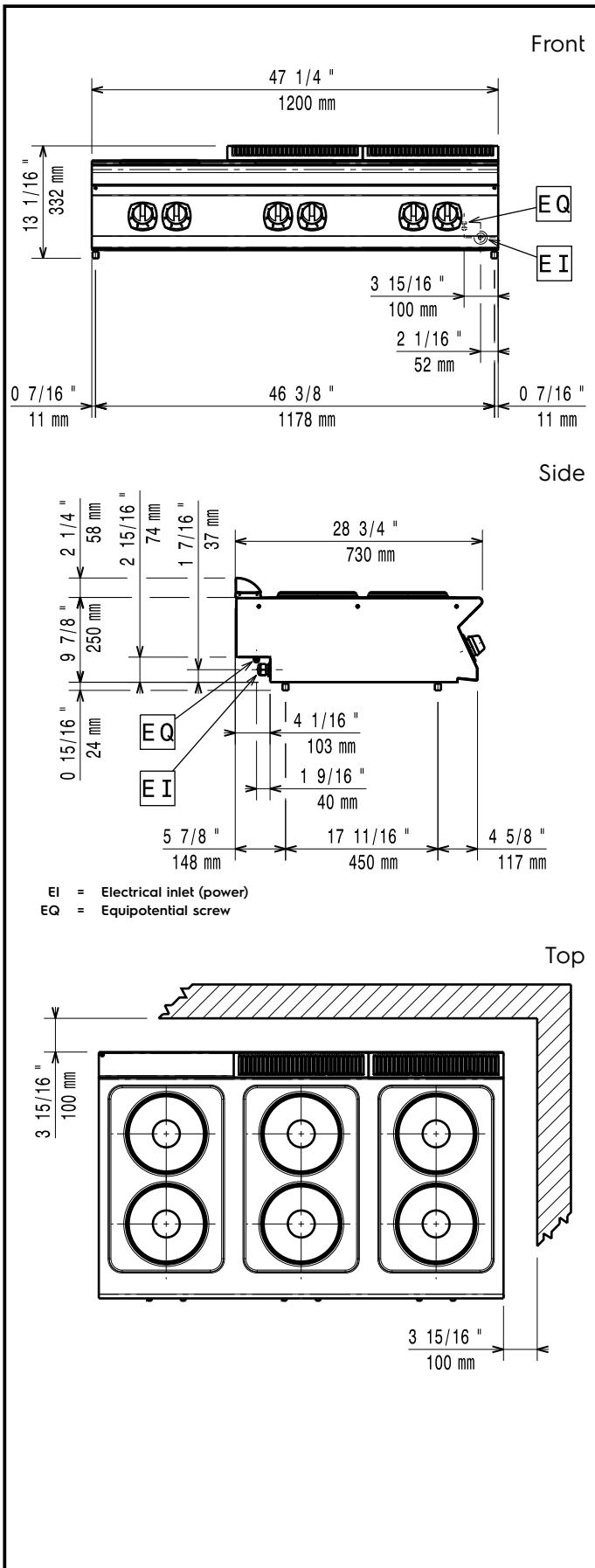
**Optional Accessories**

- Junction sealing kit PNC 206086
- Support for bridge type system, 1200mm PNC 206139
- Support for bridge type system, 1400mm PNC 206140
- Support for bridge type system, 1600mm PNC 206141
- Water column with swivel arm (water column extension not included) PNC 206289
- Water column extension for 700 line PNC 206291
- Chimney upstand, 200mm PNC 206302
- Chimney upstand, 800mm PNC 206304
- Right and left side handrails PNC 206307
- Chimney grid net, 400mm PNC 206400
- Frontal handrail 1200mm PNC 216049
- Frontal handrail 1600mm PNC 216050
- 2 side covering panels for top appliances PNC 216277
- Deflector for floured products for 15lt fryers PNC 921696

APPROVAL: \_\_\_\_\_



Experience the Excellence  
www.electroluxprofessional.com



## Electric

<b>Supply voltage:</b>	380-400 V/3 ph/50-60 Hz
<b>Total Watts:</b>	15.6 kW

## Key Information:

If appliance is set up or next to or against temperature sensitive furniture or similar, a safety gap of approximately 150 mm should be maintained or some form of heat insulation fitted.

<b>Net weight:</b>	60 kg
<b>Shipping weight:</b>	56 kg
<b>Shipping height:</b>	540 mm
<b>Shipping width:</b>	830 mm
<b>Shipping depth:</b>	1300 mm
<b>Shipping volume:</b>	0.58 m <sup>3</sup>
<b>Certification group:</b>	EH76T
<b>Front Plates Power:</b>	2.6 - 2.6 kW
<b>Back Plates Power:</b>	2.6 - 2.6 kW
<b>Front Plates dimensions:</b>	Ø 230 Ø 230
<b>Back Plates dimensions:</b>	Ø 230 Ø 230